

LA-7716

C.3

C.3

Quantitative Determination of Tritium in

CIC-14 REPORT COLLECTION

Metals and Oxides

**REPRODUCTION
COPY**

University of California



LOS ALAMOS SCIENTIFIC LABORATORY

Post Office Box 1663 Los Alamos, New Mexico 87545

This work was supported by the US Department of Energy, Office of the Assistant Secretary for Defense Programs.

This report was prepared as an account of work sponsored by the United States Government. Neither the United States nor the United States Department of Energy, nor any of their employees, nor any of their contractors, subcontractors, or their employees, makes any warranty, express or implied, or assumes any legal liability or responsibility for the accuracy, completeness, or usefulness of any information, apparatus, product, or process disclosed, or represents that its use would not infringe privately owned rights.

LA-7716

UC-4

Issued: April 1979

Quantitative Determination of Tritium in Metals and Oxides

D. E. Vance
M. E. Smith
G. R. Waterbury



QUANTITATIVE DETERMINATION OF TRITIUM IN METALS AND OXIDES

by

D. E. Vance, M. E. Smith, and G. R. Waterbury

ABSTRACT

Metallic samples are analyzed for tritium by heating the sample at 1225 K in a moist oxygen stream. The volatile products are trapped and the tritium is quantitatively determined by scintillation spectroscopy. The method is used to determine less than 1 ppb of tritium in 100-mg samples of lithium, iron, nickel, cerium, plutonium, and plutonium dioxide. Analysis of 18 cuts of a tritium-zirconium, copper foil "standard" over a 3-yr period showed a tritium content of 45 ppm and a standard deviation of 6 ppm.

I. INTRODUCTION

The amount of tritium in lithium laser-fusion reactor fuel and in the fuel-preparation materials was of concern in the fuel development programs. In addition, the amount of tritium in plutonium and plutonium dioxide must be known to metallurgically process them. We adapted the method for tritium analysis in hot cells reported by MacDougall et al.¹ for use with these materials.

Without the complications caused by the hot cell, the method is much simpler. The humidifying jar (Fig. 1) is at room temperature. The reaction furnace tube (Fig. 2) is combined with the oxidation furnace tube and is heated with a commercial resistance furnace. The short plumbing permits reduction of the reaction time to 30 min. We eliminate the spiral trap used by MacDougall and collect the sample by bubbling the carrier gas (O_2) through an ice-cooled volumetric flask filled with distilled water.

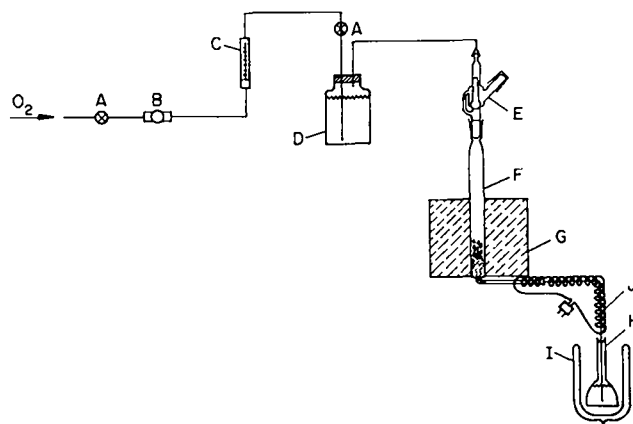


Fig. 1.

Combustion apparatus. A, Hoke valves; B, needle valve; C, rotometer; D, humidifying (Mason) jar; E, sample dropper; F, furnace tube; G, resistance furnace; H, collection flask; I, dewar; J, heating tape.

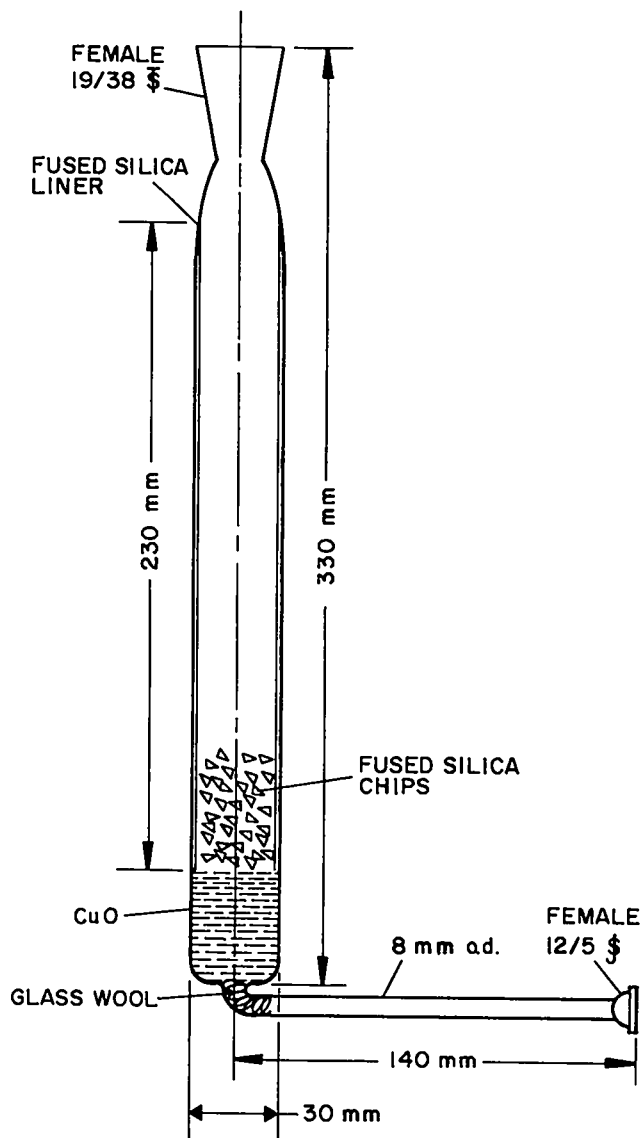


Fig. 2.
Fused silica furnace tube.

II. APPARATUS AND REAGENTS

A. Apparatus

Balance: Ainsworth Model BCT or equivalent.

Dewar: of suitable dimensions to enclose a 100-ml volumetric flask, two required.

Flask: 100-ml volumetric, three required for each analysis.

Furnace Tube: fused silica (Fig. 2).

Gloved Enclosure: suitable for handling plutonium. Only the reaction furnace tube and sample dropper are in this enclosure.

Heating Tape: Briscoe Manufacturing Co. or equivalent, one required to heat the exit tube from the furnace tube to the collection flask.

Inert Atmosphere Enclosure: similar to that described by Smith et al.²

Liquid Scintillation Spectrometer: Packard Tri-Carb Model 2001 or equivalent.

Mason Jar: 1-qt or equivalent, fitted with two-hole rubber stopper.

Pipette: 10- μ l disposable, Microcap, Drummond Scientific Co. or equivalent, nine required for each analysis.

Pipette: 5-ml, one required.

Resistance Furnace: 8-in., Electro-Applications, Inc. or equivalent.

Rotometer: Hoke Bantam or equivalent, 0 to 0.75 l/min oxygen.

Sample Dropper: borosilicate glass (Fig. 3).

Thermocouple: 0 to 1000°C, with pyrometer, one required to monitor the temperature of the resistance furnace and furnace tube.

Tin Capsules: Laboratory Equipment Corp. No. 501-059 or equivalent.

Tubing: 1/4-in. copper, for connecting the oxygen supply, the humidifying (Mason) jar, and the sample dropper (Fig. 1).

Tubing: 1/8-in. stainless steel, for connecting the furnace tube and the collection flask (Fig. 1).

Ultrasonic Cleaner: optional.

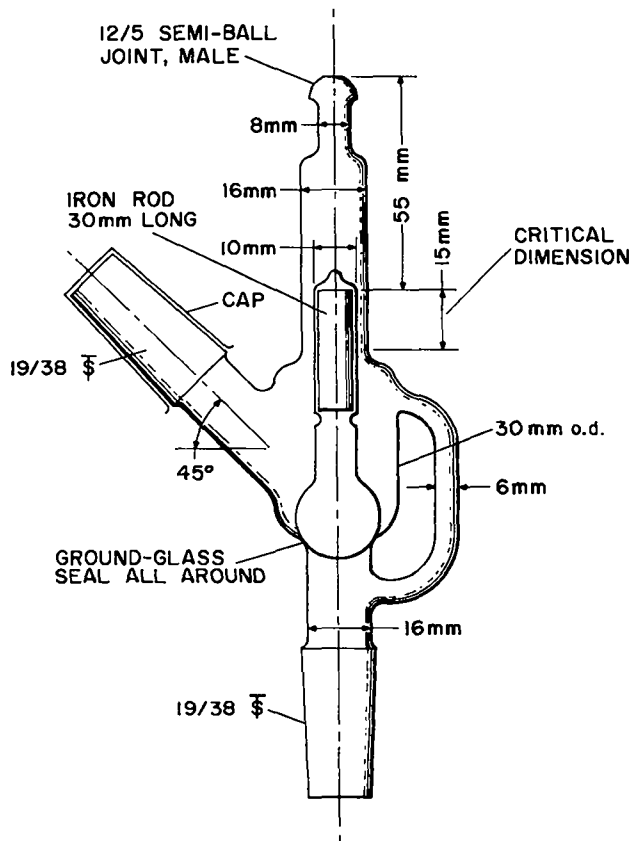


Fig. 3.
Sample dropper.

Valve: Hoke No. 4551Q4M or equivalent, two required.

Valve: needle, Robbins Aviation, Inc. No. INSG103-1P or equivalent, one required.

Variable Transformer: one required to control the temperature of the resistance furnace and one required for the heating tape on the exit tube.

Vial: scintillation, nine required for each analysis.

B. Reagents

Cupric Oxide: wire form, reagent grade.

Grease: silicone, for sealing the ground-glass joints on the furnace tube and the sample dropper.

Ice: chipped.

Liquid Scintillation Cocktail: Aquasol, New England Nuclear or equivalent.

Oxygen: tank.

Reference Material: tritiated water, certified (ICN Pharmaceuticals, Inc.); used to determine the counting efficiency of the liquid scintillation spectrometer.

Reference Material: tritium-zirconium, copper foil-backed evaporated target, Oak Ridge National Laboratory or equivalent; used to ensure proper functioning of the combustion apparatus.

III. SAMPLE PREPARATION

Caution: Health and safety rules for handling radioactive materials including tritium must be rigidly followed, and adequate protection for the operator must be ensured with suitable gloved enclosures, fume hoods, protective clothing, and radiation monitoring equipment.

The weighed samples of lithium fuel and fuel-preparation materials are normally received packed in 1-dram vials within a sealed brass container. The atmosphere in the brass container is contaminated with tritium, and therefore the container must be opened in a suitable fume hood with tritium monitoring equipment available. The normal sample size required for each analysis is less than 50 mg of lithium or approximately 100 mg of tritium-getter alloy. Smaller samples are used if the tritium concentration is greater than 1 ppm. Other materials submitted for tritium analysis are stored and cut into 100-mg pieces in an inert atmosphere. Small pieces of samples and powders are loaded into tin capsules before analysis. (The amount of tritium in the tin capsules is negligible).

IV. SAMPLE ANALYSIS

(1) At all times, the resistance furnace (Fig. 1) is kept at 1225 K and the heating tape at 425 K. The humidifying jar is kept filled with water.

(2) Before each day's analyses, the apparatus is flushed for at least 30 min by opening the Hoke valves and adjusting the needle valve until the rotometer registers an oxygen flow of 100 ml/min. This ensures a stable apparatus background for the analyses.

(3) While the apparatus is flushing, the necessary number of 100-ml volumetric flasks are obtained (at least two for each analysis and one for the initial apparatus background). Each flask is rinsed with double distilled water then filled to the mark with double distilled water and shaken. Each flask is labeled with the number of the sample or blank to be collected in that flask.

(4) An initial aliquot (flask background) (see Sec. V) is taken from each flask and put into 15 ml of scintillation cocktail in a scintillation vial. Each vial is labeled as the initial cut from a particular flask and shaken to ensure uniform mixing.

(5) The flasks for the first apparatus background (blank) and for the first sample are placed in the two dewars, and the dewars are filled with ice. The flasks are cooled for 30 min before the first blank is collected.

(6) The flask for the first blank is positioned so that the exit tubing from the furnace tube is inside the flask and extends to within a few millimeters of the bottom of the flask. The eluted tritiated water is collected for 30 min.

(7) At the end of the blank collection period, the collection flask is removed from the exit tubing, the tubing is wiped dry, and the next flask is positioned on the exit tubing. The sample is placed in the sample dropper and dropped into the furnace tube.

(8) During this 30-min sample collection period, the first flask is removed from the ice bath and replaced by the third flask.

(9) Two aliquots are taken from the collection flask of the first blank and put into separate scintillation vials each containing 15 ml of scintillation cocktail.

(10) At the end of the sample collection period, the collection flasks are changed as in Step 7 above, and another blank is collected.

(11) During the collection period for the second blank, the sample collection flask is removed from the ice bath and replaced with the next sample collection flask. Two aliquots are taken from the sample collection flask.

(12) Steps 6 through 11 are repeated until all samples have been analyzed. The mixed scintillation vials are left overnight before counting to minimize oxygen-caused chemiluminescence.

(13) The tritium disintegration rate (count) of each scintillation vial is determined using a scintillation spectrometer adjusted to obtain the maximum counting efficiency for tritium.

(14) The average count for each sample is corrected for the flask background count and the apparatus background count.

(15) The amount of tritium in the original sample is given by the formulas

$$\mu\text{g T}_2 = \frac{4.633 \times 10^{-9} (C) (SF)}{(CT) (CE)}$$

$$\text{ppb T}_2 = \frac{4.633 \times 10^{-8} (C) (SF)}{(CT) (CE) (W)}$$

where C = corrected count,
SF = sampling factor to correct for only counting a fraction of the tritium released from each sample,
CT = counting time in minutes,
CE = counting efficiency in per cent, and
W = sample weight in milligrams.

V. PROCEDURAL COMMENTS

The normal aliquot size taken for scintillation counting is 10 μl (sampling factor 10⁴), and the normal counting time is 5 min. If the 5-min count is <1000, the aliquot size is changed to 5 ml (sampling factor 20). If a count of 9 x 10⁶ for the 10- μl aliquot is obtained in <0.50 min, an aliquot from the collection flask is diluted 1:10⁴, and duplicate 10- μl aliquots of this are counted (sampling factor 10⁶).

When 10- μl aliquots are taken, the entire Microcap pipette is dropped into the scintillation cocktail. Each vial is then shaken, preferably in an ultrasonic cleaner, until all of the cloudy gel that formed in the pipette is replaced by clear liquid.

After each vial is loaded into the spectrometer counting chamber, our single-sample capacity requires a 30-s wait before starting the spectrometer. Photoluminescence of the scintillation mixture will

cause erroneous high readings if it is not allowed to decay for 30 s.

The counting efficiency of the spectrometer is determined (and occasionally checked) by adding a 10- μ l aliquot of the tritiated water reference material to 15 ml of scintillation cocktail and counting it in the same manner as the samples. The 5-min count is compared mathematically to the certified activity of the reference material to obtain the percentage of disintegrations counted by the spectrometer. The same brand of scintillation cocktail must be used for this determination as is used for the samples.

The limit of detection for this method as presently used is 0.01 ppb, but this could be lowered by using more sophisticated counting techniques. The upper limit depends on selecting a practical sample size. The method applies to any material that is readily combustible or that will release tritium at 1225 K.

VI. RELIABILITY

We can only estimate the precision and accuracy of this method because we lack suitable reference materials. For six aliquots (10- μ l each) of a tritiated water reference material, the spectrometer counting efficiency was 45.8% with a standard deviation of 0.2%. Eighteen cuts of the tritium-zirconium target reference material analyzed by the combustion method showed an average of 45 ppm T₂ with a stan-

dard deviation of 6 ppm. Eight cuts of the same tritium-zirconium target were analyzed by sealed-tube dissolution and scintillation spectroscopy. The average tritium concentration was 42 ppm with a standard deviation of 4 ppm, indicating no bias within the precision obtained.

ACKNOWLEDGMENTS

We are grateful for the sealed-tube dissolution and scintillation spectroscopy assistance provided by the Plutonium Assay and Radiochemistry Sections of the Los Alamos Scientific Laboratory Analytical Chemistry Group.

REFERENCES

1. C. S. MacDougall, T. K. Marshall, G. M. Matlack, and G. R. Waterbury, "Determination of Carbon, Hydrogen, and Tritium in Irradiated Reactor Fuels and Cladding Materials," Los Alamos Scientific Laboratory report LA-5497 (May 1974).
2. M. E. Smith, J. M. Hansel, and G. R. Waterbury, "An Inert Atmosphere Enclosure for the Preparation of Samples Prior to the Determination of Oxygen," Los Alamos Scientific Laboratory report LA-3344 (August 1965).

Printed in the United States of America. Available from
National Technical Information Service
US Department of Commerce
5285 Port Royal Road
Springfield, VA 22161

Microfiche \$3.00

001-025	4.00	126-150	7.25	251-275	10.75	376-400	13.00	501-525	15.25
026-050	4.50	151-175	8.00	276-300	11.00	401-425	13.25	526-550	15.50
051-075	5.25	176-200	9.00	301-325	11.75	426-450	14.00	551-575	16.25
076-100	6.00	201-225	9.25	326-350	12.00	451-475	14.50	576-600	16.50
101-125	6.50	226-250	9.50	351-375	12.50	476-500	15.00	601-up	

Note: Add \$2.50 for each additional 100-page increment from 601 pages up.